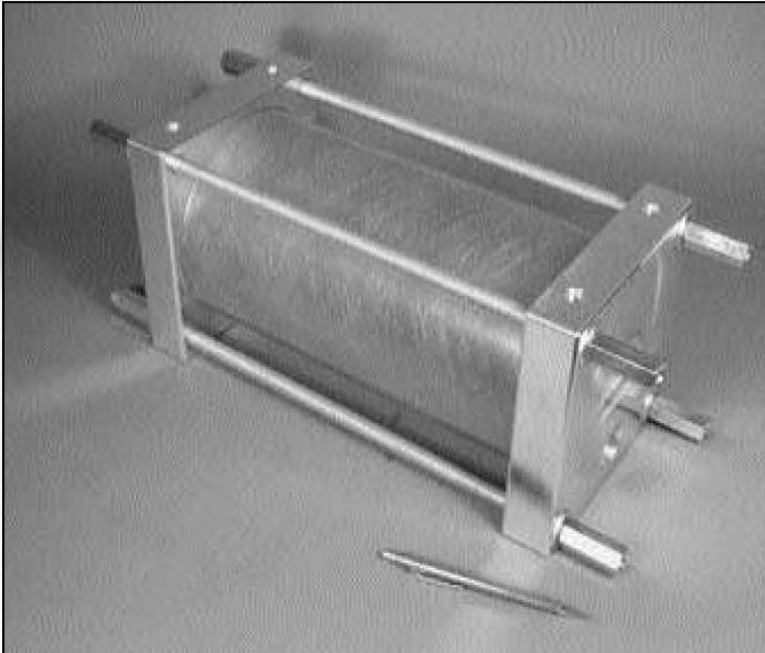


# QUEUE TANK® 1” OPTION AAA

## INTRODUCTION



Drain-All No-loss condensate traps provide unique, high quality, energy efficient, reliable product solutions for draining and moving liquids such as: (1) condensate removal from compressed air systems, (2) oils and lubricants from manufacturing or test equipment, and (3) liquids from atmospheric and vacuum systems. Drain-All condensate traps are produced under a certified ISO 9001 Quality Management System to ensure the product exceeds customer expectations.

Drain-All products are industrially robust, require little maintenance and since they do not require any electrical connections, can be easily installed on equipment at any point in a system. The unique design maintains a liquid barrier inside the trap which prevents the escape of costly process gas. As a result, no-loss condensate traps provide energy savings when compared to timer drains and manual valves. These patented devices are backed by an excellent warranty and a strong technical support staff who are available to assist customers in developing engineered solutions for all of their liquid drainage problems.

The Drain-All product line includes a wide array of products, options and accessories which enable customers to customize their particular liquid drainage systems. The Drain-All condensate drains are compatible with all manufactures of compressors, aftercoolers, filters/separators, receivers and dryers.

### SPECIFICATIONS

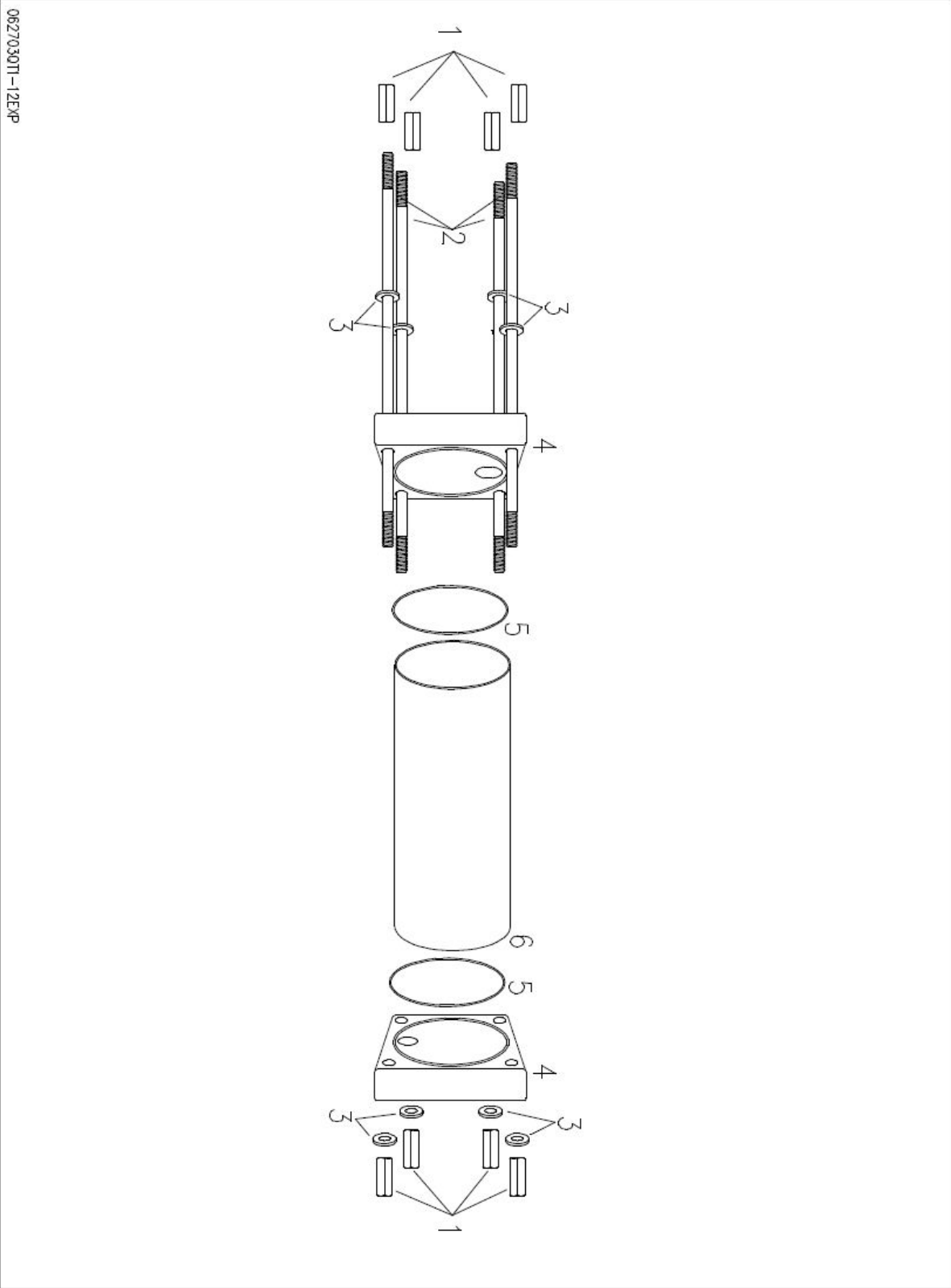
Part Number	QT10-XXXAAA
Max Liquid Temp - °F (°C)	250 (121.1)
Max Liquid Pressure – PSIG (BARG)	See Materials of Construction
Ht – inches (cm)	7-0 (17.8)
Width – inches (cm)	7-0 (17.8)
Length – inches (cm)	See Outline Drawing
Inlet / Outlet – NPT	1
Capacity—Gallons (liters)	Varies with Length
Weight – LBS (KG)	Varies with Length

Quality System ISO 9001 Certified United States Patent: 5,983,919

+1 314.781.6022 FAX +1 314.781.7859 INFO@DRAIN-ALL.COM WWW.CDIVALVE.COM



# ASSEMBLY DRAWING



0627030T1-12XP

# MATERIALS OF CONSTRUCTION

Queue Tank 1—12 300, QT10-12MAAA, 300 PSIG Pressure Rating

CODE	PART #	ITEM	DESCRIPTION/REMARKS	QTY
1	302370	Coupling Nut	Zinc Plated Steel	8
2	302360	Threaded Rod	Zinc Plated Steel	4
3	301570	Washer	Zinc Plated Steel	8
4	170302	End Plate	Aluminum	2
5	302200	O-Ring, Sleeve	Fluorocarbon, Brown	2
6	100372	Sleeve	Fiberglass	1

Queue Tank 1 — 12 750, QT10-12NAAA, 750 PSIG Pressure Rating

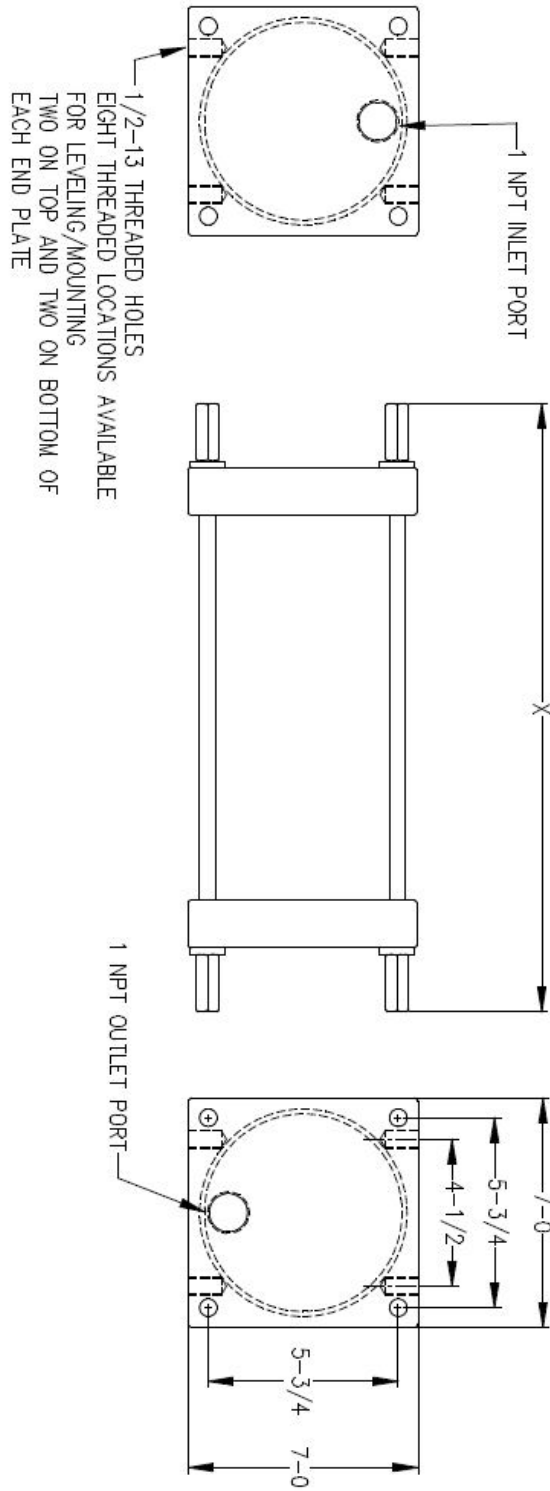
CODE	PART #	ITEM	DESCRIPTION/REMARKS	QTY
1	302370	Coupling Nut	Zinc Plated Steel	8
2	302360	Threaded Rod	Zinc Plated Steel	4
3	301570	Washer	Zinc Plated Steel	8
4	170319	End Plate	Aluminum	2
5	302250	O-Ring, Sleeve	Fluorocarbon, Brown	2
6	100375	Sleeve	Fiberglass	1

Queue Tank 1 — 24 750, QT10-24NAAA, 750 PSIG Pressure Rating

CODE	PART #	ITEM	DESCRIPTION/REMARKS	QTY
1	302370	Coupling Nut	Zinc Plated Steel	8
2	302363	Threaded Rod	Zinc Plated Steel	4
3	301570	Washer	Zinc Plated Steel	8
4	170319	End Plate	Aluminum	2
5	302250	O-Ring, Sleeve	Fluorocarbon, Brown	2
6	100385	Sleeve	Fiberglass	1

# OUTLINE DRAWING

QUEUE TANK® PART NUMBER	QUEUE TANK® LENGTH "X"	RATED PRESSURE PSIG
QT10-12MAAA	18-0	300
QT10-12NAAA	18-0	750
QT10-24NAAA	30-0	750



022405QTI-12A1DP